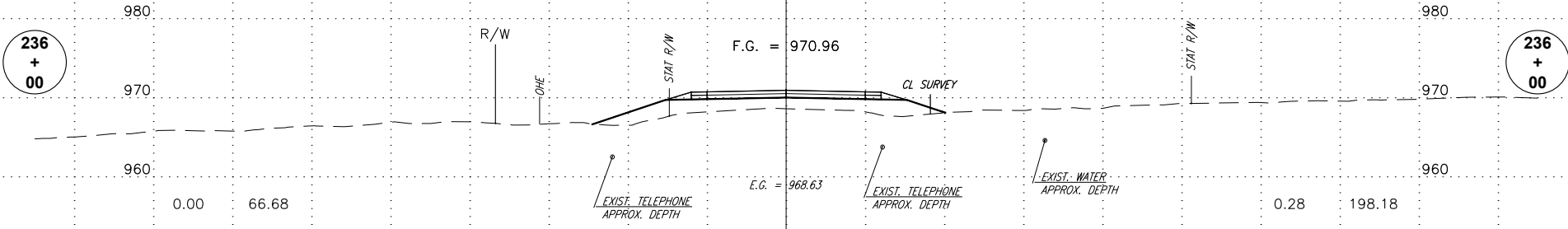
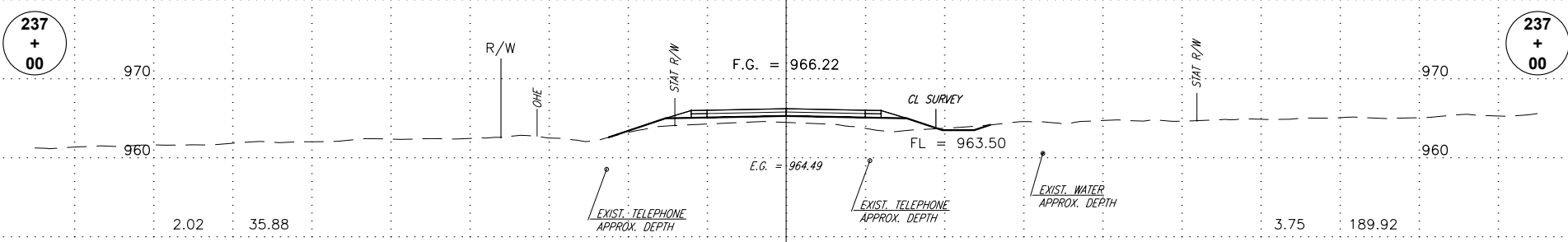
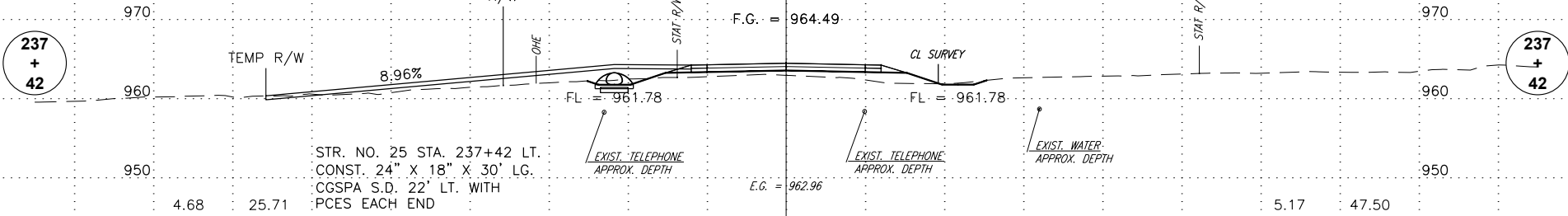
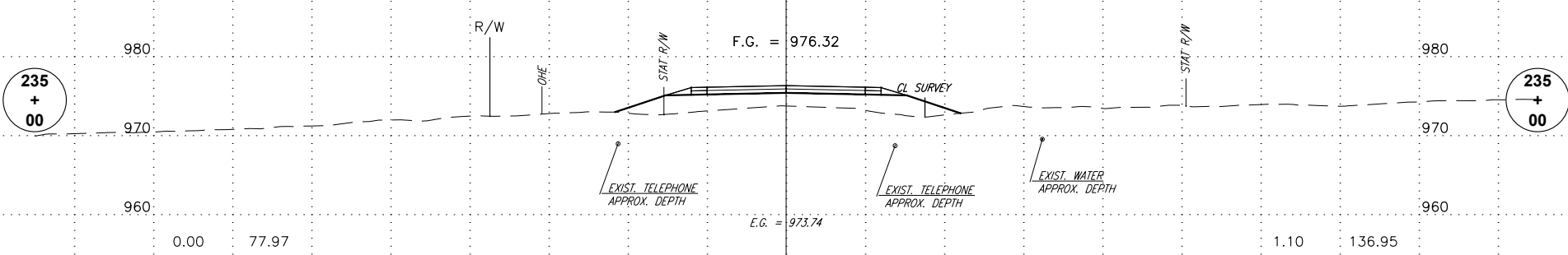
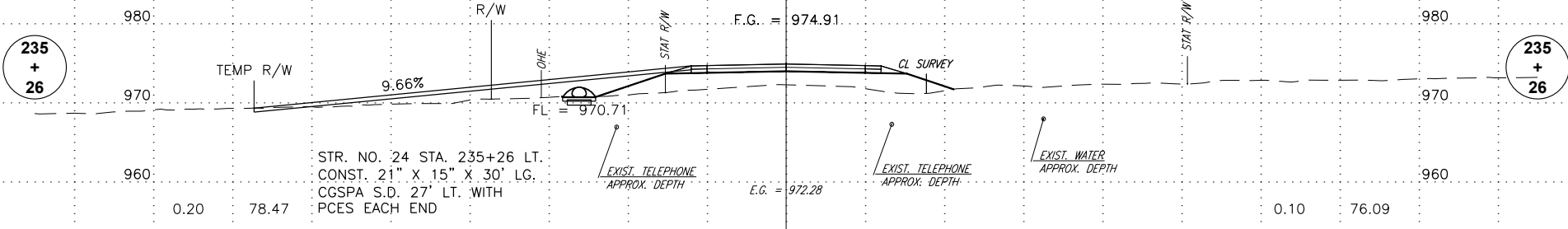


AREA S.F.  
EXC. EMB.

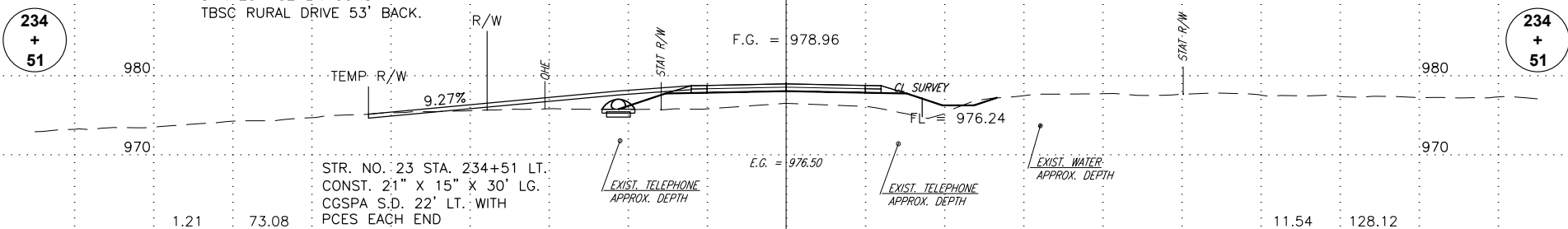
STA. 237+42 LT. CONST 12'  
TBSC RURAL DRIVE 66' BACK.



STA. 235+27 LT. CONST 14'  
TBSC RURAL DRIVE 68' BACK.



STA. 234+52 LT. CONST 14'  
TBSC RURAL DRIVE 53' BACK.



ALL UTILITY LOCATIONS AND DEPTHS ARE APPROXIMATE.